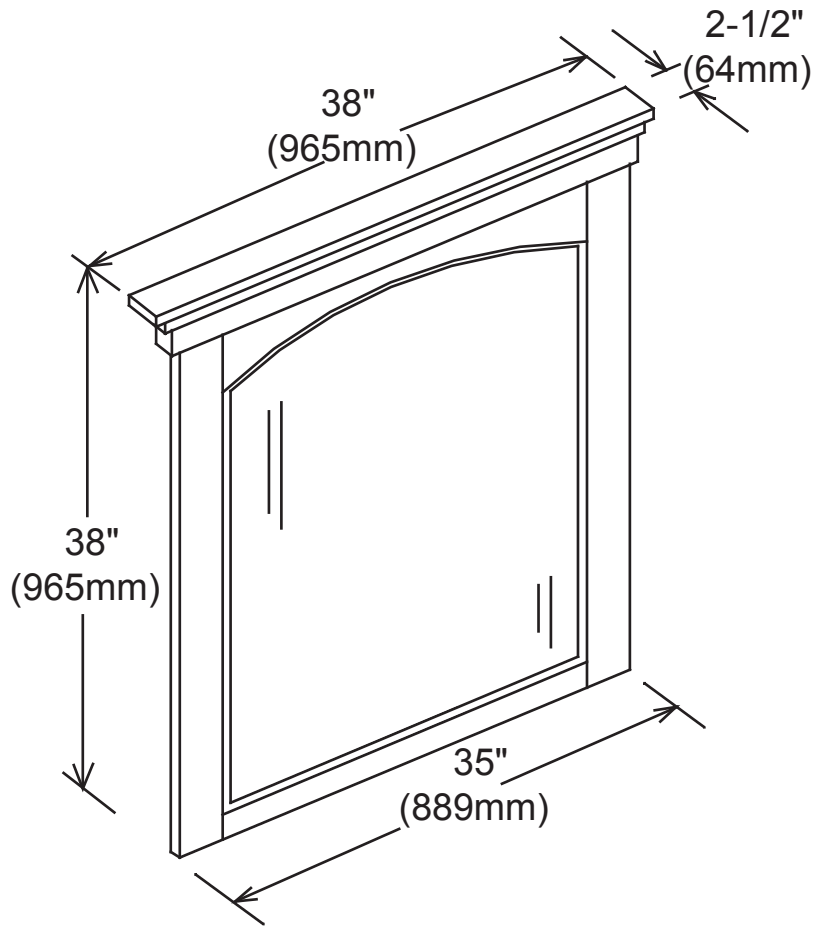
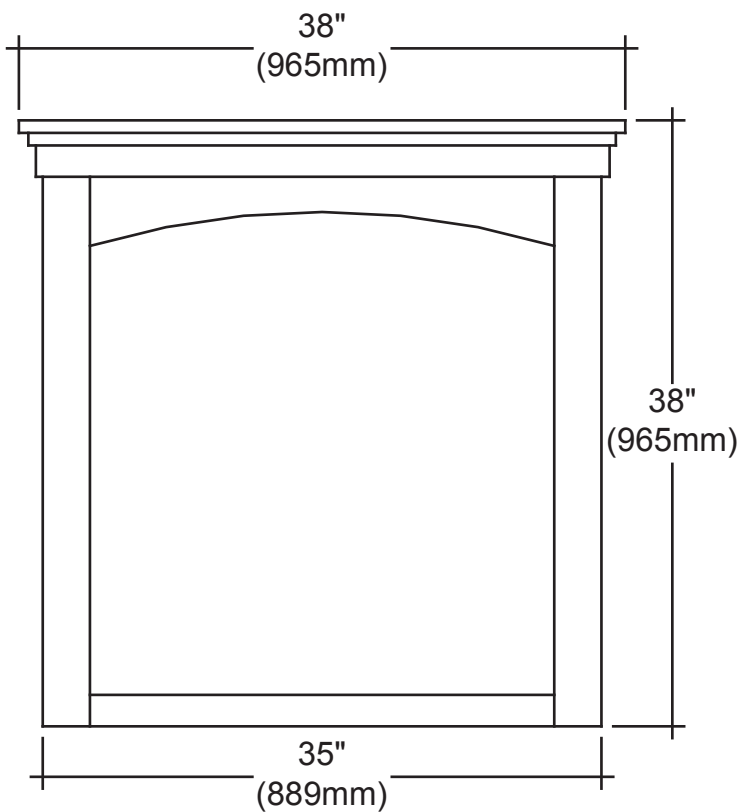


1.3D line drawing



3. Front view line drawing



4. Side view line drawing

